

FAAC BC-PRO 1050 Battery Back-Up (115VAC) Instruction Sheet

- 1) Plug in the batteries (supplied) with the battery back-up unit. The red wire goes to the red side (positive +) of the batteries. The black wire goes to the black side (negative -) of the batteries. When replacing the batteries **always use** the same type and voltage. **3 Batteries** at **6V 12Ah** each. Sealed Lead Battery.
- 2) Wire the main power (from breaker box) into the “AC Input” terminals.
- 3) The center terminal is for grounding the incoming and outgoing power.
- 4) Wire the “AC Output” terminals the FAAC control panel’s main power input terminals. (See the Installation manual for correct placement)
- 5) Wire the “Open/Hold Open” terminals to the appropriate terminals on your control panel. (See the installation manual for correct placement)
- 6) Turn the battery back-up unit on. The switch is located in the top left corner of the BC-PRO 1050. Push and hold this button down until a “beep” sound is heard.

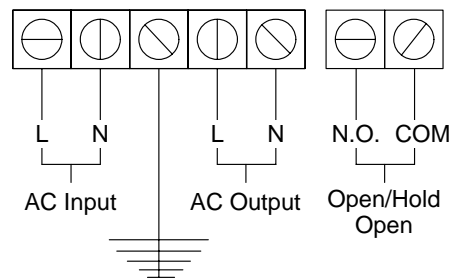
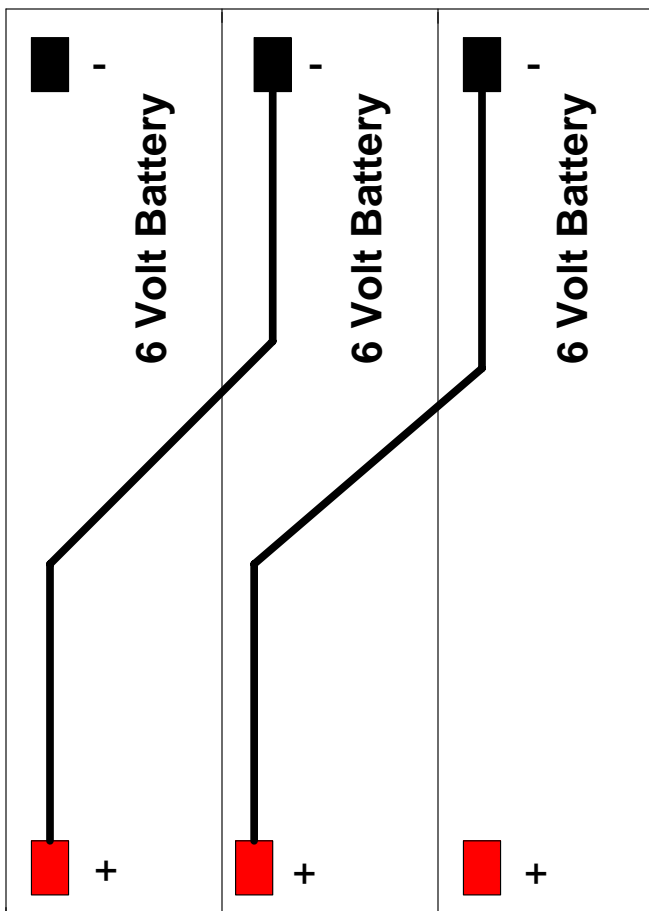
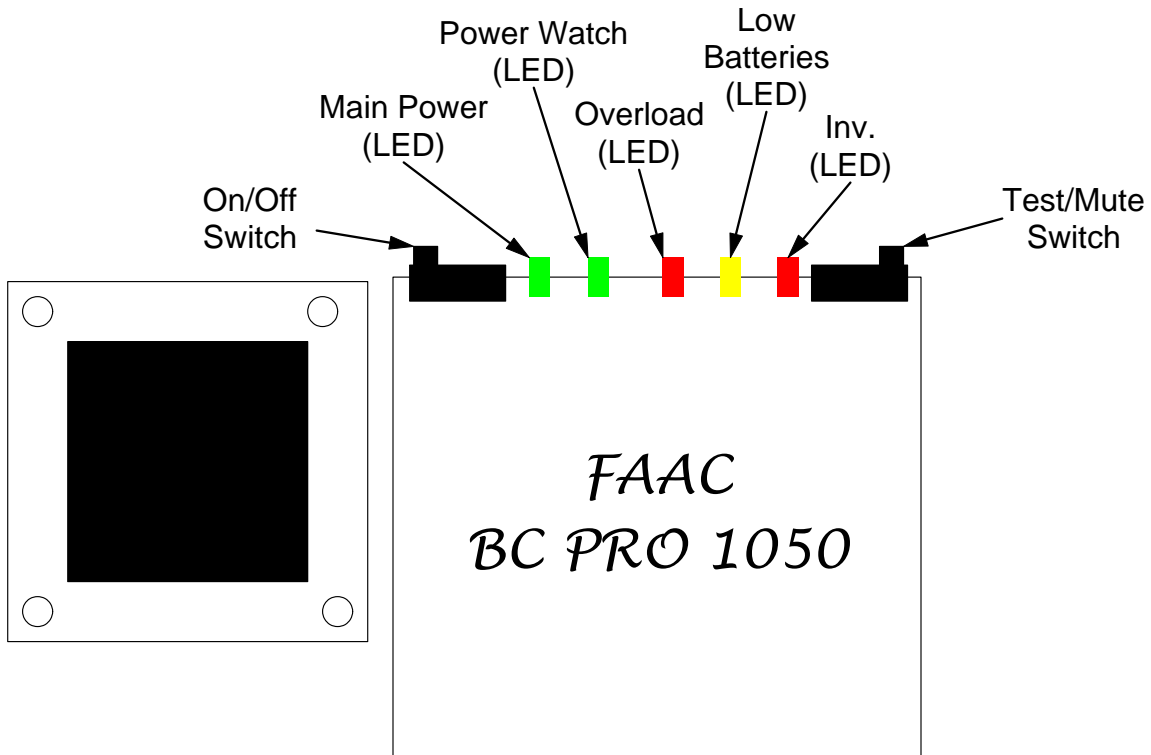
With the switch turned off the unit is a “charge only” state. Main power will still flow thru the battery back-up unit, but the gate system will not be “backed-up”.

On a dual gate system the unit has two “Open/Hold Open” terminals labeled Gate1 and Gate 2 these need to be wired to the open contacts on the control panel for each gate system. Same is for the “AC Outputs”. The 30VDC needs to be wired to one of the control panels 30VDC output. (24VDC will work also)

The following table explains the leds. These are status leds and will help in troubleshooting your battery back-up.

LED Status Chart (Leds being read right to left)	
Green	Main Power led. When lit this means the main power line is ok. When flashing the unit is in “charge only” mode and indicates the unit will not provide battery back-up.
Green	This led will turn on when the unit detects that incoming line voltage has fallen below or above normal levels. This led is for informational purposes only. No action is required.
Red	Overload led, when lit this means that the BC-PRO is being overloaded (to much amperage being drawn) and will shut down.
Yellow	Battery power led, when lit this means the unit is supplying battery back-up power and main power is out.
Red	Battery charge led, when lit this means the batteries are weak and need to be charged for 12 hours.

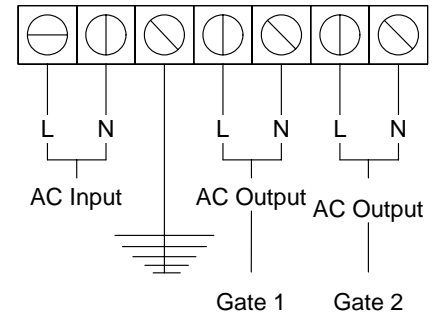
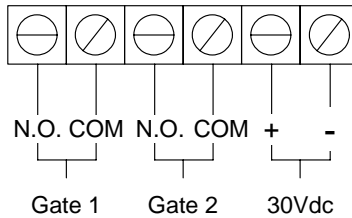
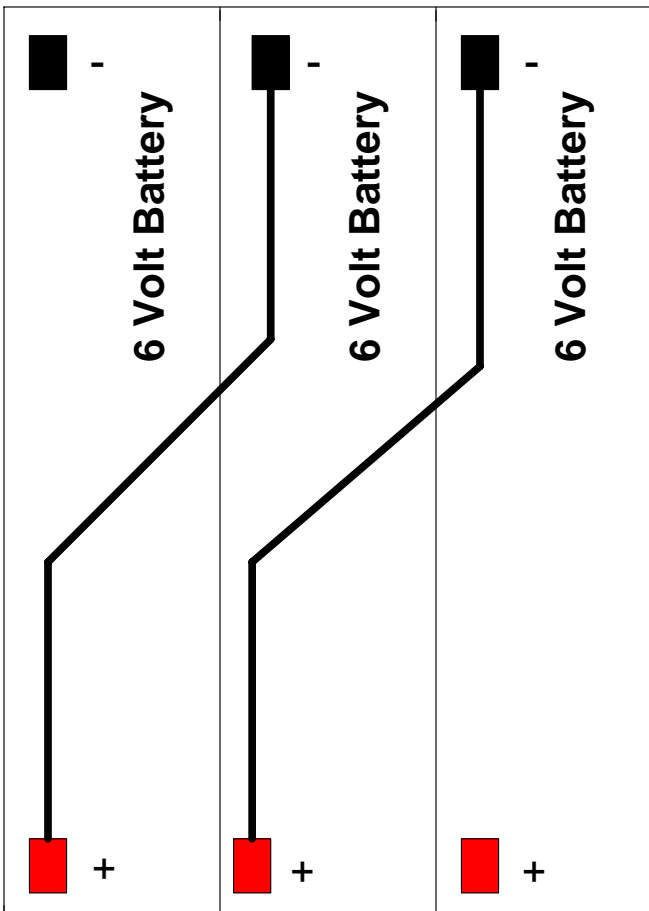
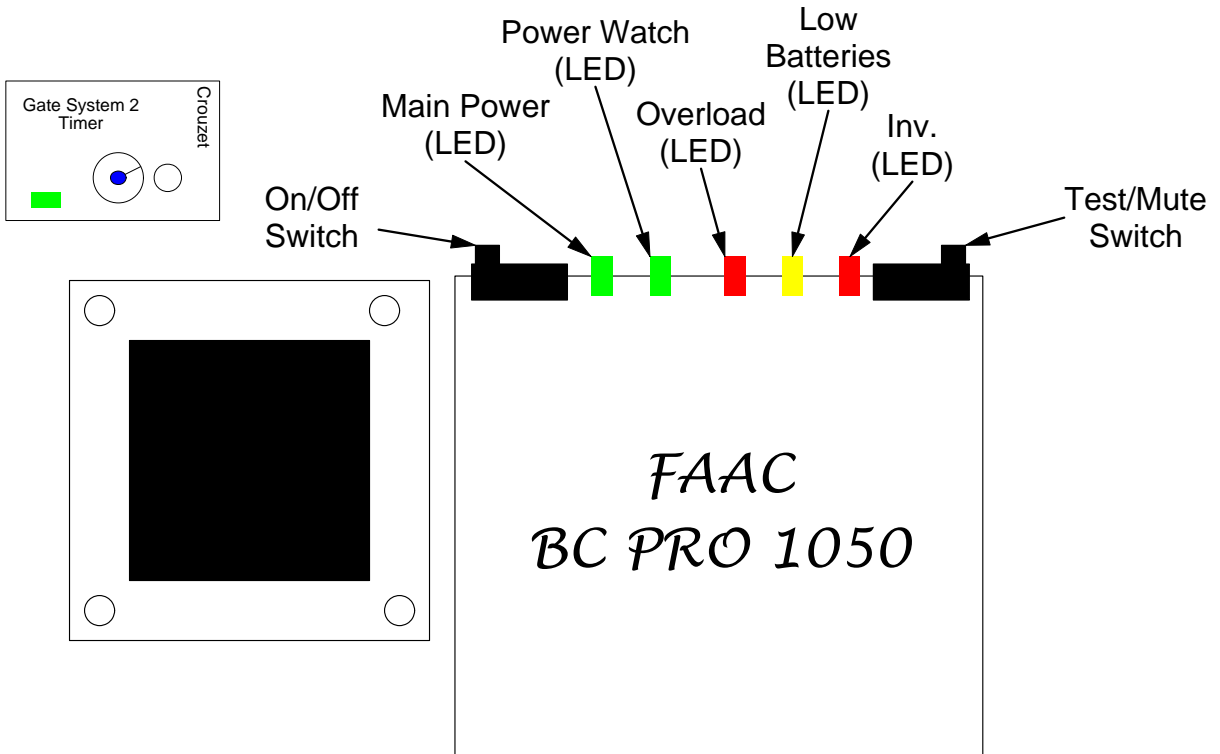
FAAC BC-PRO BATTERY BACK-UP 115VAC



NOTE:

Under normal conditions, the batteries in your BCPro will last for several years. However the back-up system should be checked yearly for proper function.

FAAC BC-PRO BATTERY BACK-UP 115VAC (DUAL GATE SYSTEM)



NOTE:

Under normal conditions, the batteries in your BCPro will last for several years. However the back-up system should be checked yearly for proper function.