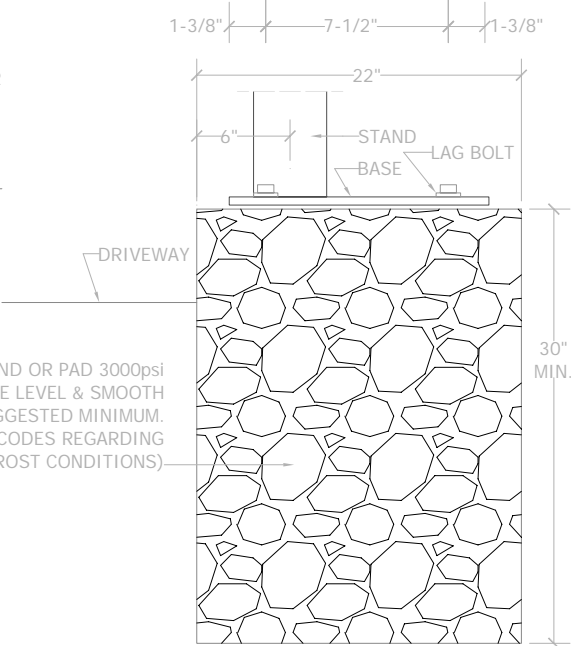
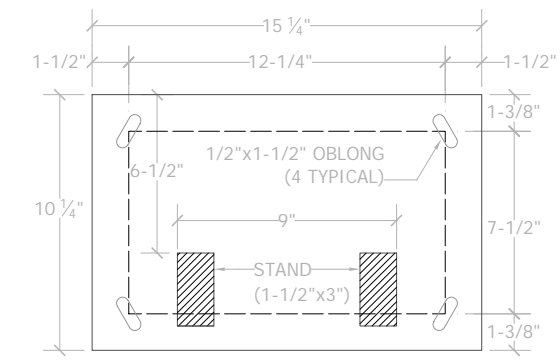


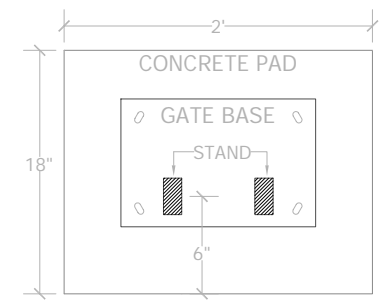
**LAG BOLT DETAIL**  
TYPICAL MINIMUM REQUIRED



**CROSS SECTION DETAIL**



**GATE BASE DETAIL**



**CONCRETE PAD INSTALLATION**

PROJECT <b>MB 819 MANUAL GATE</b>		<b>Upswung LLC</b> TEL: 775-588-1475		
REFERENCE <b>BASE DETAIL</b>				
TITLE <b>INSTALLATION</b>				
DATE	REVISION	DWG. BY <b>V.V.</b>	ORDER NO. <b>N/A</b>	DATE <b>JUNE 2005</b>
		DESIGNED BY <b>J.M.</b>	SCALE <b>N/A</b>	DWG. NO. <b>MB819-003</b>